



# PowerDry™

PAXTON

## CUT YOUR COMPRESSED AIR COSTS!

**Paxton's PowerDry™ Replaces Costly Compressed Air Blow-Offs**

Paxton Products has introduced the PowerDry™ system in response to widespread efforts to lower energy costs through reduced compressed air usage. The affordable

system was designed as an easy-to-install replacement for plastic comb or fan nozzles, air jets, disk nozzles, drilled pipe, and other common pneumatic blow-off devices. The versatile system generates high velocity airflows for effective debris and moisture removal. Its washdown-capable design is perfectly suited for food, beverage and packaging operations, such as container drying prior to date coding, sealing, labeling,

packaging, etc. As a blower-driven alternative to compressed air, the patent pending PowerDry™ system eliminates potential contamination from oils and scale in the compressed air supply.

The compact PowerDry™ system incorporates a high performance Paxton centrifugal blower that develops maximum air flow and pressure from a small, 2.2kW motor. An FDA compliant hose carries the airflow to a unique 6-nozzle air tube that delivers successive hits of high impact air. A fully adjustable, stainless steel, mounting arm holds the air tube securely in place.

**NEW!**

**Field tests showed  
the PowerDry™ system  
returned an average  
80+% savings  
in energy costs**

**PAXTON**  
PRODUCTS

ITW Air Management

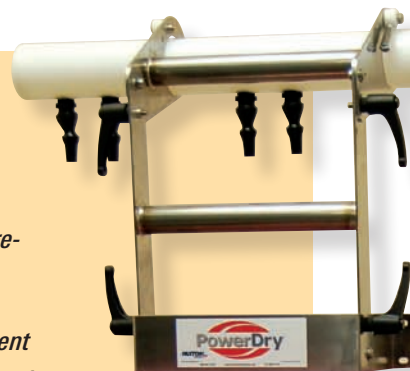
**SolvAir**

Patent Pending

**H**ere's one of the easiest ways to realize significant savings on energy costs by eliminating compressed air usage. Paxton's new PowerDry™ system is the simple and affordable alternative to compressed air blow-off nozzles and jets commonly used for drying prior to date coding, labeling or packaging. The patent pending design is centered on reliable, Paxton performance and quick, turnkey installation.

*Depending on your annual operating hours, this Paxton system often pays for itself in energy savings in less than 12 months. Its high velocity airflow sheers off moisture on bottles, cans, jars and other containers, providing a dry, suitable surface for quality coding or eliminating moisture-related packaging issues.*

*For general industrial use, the PowerDry™ is an energy-efficient system for drying and blow-off cleaning of parts, conveyors, and many other applications.*



In a typical processing facility, one or two of these on a line can cost over €3000 in annual compressed air energy cost!

The PowerDry™ system is a purpose-built solution with everything included to easily replace costly compressed air devices. Its durable construction was designed for food, beverage and general industrial environments. In many cases, a single PowerDry™ unit can be used to replace two or more blow-off devices, providing sizable cost savings. And, the system's unique 6-nozzle Air Tube delivers the continuous flow as successive hits of high impact air, to improve drying performance.

Let our Paxton technical service staff assist you in determining how much you can save by using the PowerDry™ system.

The PowerDry™ system was specifically developed as an affordable, quick-to-install alternative to many compressed air nozzles, jets, pipe manifolds, and other common devices.

**Benefits:**

- Significantly reduces energy costs in most applications
- Outperforms typical compressed air devices for improved drying or cleaning
- Eliminates contamination from oils and debris in compressed air
- Easy to install and adjust

**Features:**

- Rugged polypropylene enclosure for washdown capability and noise abatement
- Adjustable air delivery mounting
- Compact size
- Low maintenance



# HOW MUCH IS IT COSTING YOU?

If you need to lower your energy costs by reducing compressed air usage, look first at those common blow-off devices on your process and packaging lines.

They're simple, quick to install, require essentially no maintenance, and they could be costing you a bundle! Maybe you are using a pipe manifold to dry plastic crates, or a cluster of three disc nozzles to remove moisture on cans before date coding. Perhaps, a couple of comb nozzles are helping to remove debris from a crevice in a cast part. Whatever the application, these types of compressed air devices, on a continuously running production or processing line, make a significant contribution to annual energy costs.



Multiply the Euro Figure by Each One of These Being Used

Typical Air Consumption  
Bar LPM

Energy Cost Per Nozzle  
Annual Hours of Operation

2000

4000

8000



2.7

408

€285.00

€571.00

€1142.00

4.1

555

€389.00

€777.00

€1555.00

5.5

716

€501.00

€1004.00

€2008.00



2.7

963

€675.00

€1350.00

€2699.00

4.1

1302

€914.00

€1825.00

€3651.00

5.5

1642

€1151.00

€2302.00

€4604.00



2.7

1359

€952.00

€1905.00

€3810.00

4.1

1840

€1290.00

€2580.00

€5160.00

5.5

2350

€1647.00

€3295.00

€6589.00

Paxton's new PowerDry™ system was specifically developed as an energy saving alternative to compressed air. It's a complete, ready-to-use unit that efficiently delivers substantial air power to often replace several blow-off devices for big savings.

We'll help you estimate your compressed air cost and the return on investment with a PowerDry™ system. Please contact our technical service staff for more information and assistance.





Model No.	Description
8006002-IEC	Paxton PowerDry™, complete system
8006150	Auxiliary Air Tube Kit; includes 2nd air tube assembly, mounting, Y-divider
8006108-2	Replacement elements, high performance air filters; 2-Pack



**Specifications:**

**Blower:** Paxton Centrifugal XT-300, 2.2kW IEC Motor, 230v or 400v, 3-phase

**Enclosure:** White polypropylene, stainless steel base and hardware

**Air Tube:** UHMW polyethylene 750mm tube with 6 adjustable nozzles, stainless steel mounting

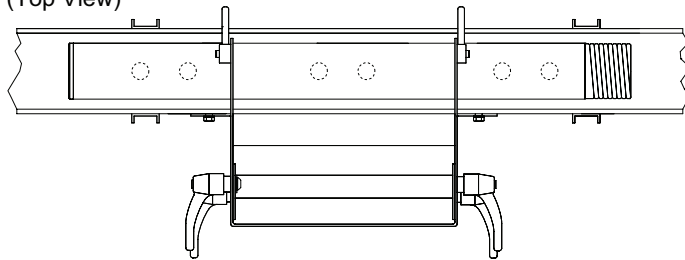
**Hose:** 76mm Flex FDA compliant 2.5m long, stainless steel clamps

**Weight:** 70kg, entire system

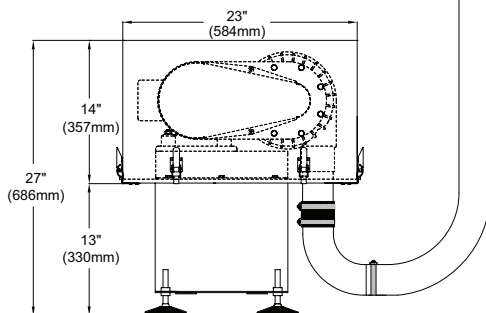
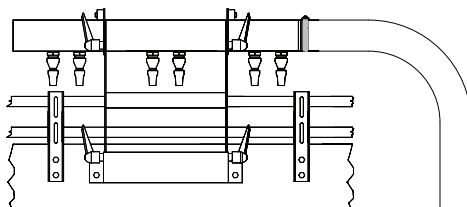
The powerful PowerDry™ blower will often support an additional air tube for a nearby, second location or processing line. An Auxiliary Air Tube Kit is available to deliver a maximum 12-nozzle blow-off.

**Sample Application Drawing:**

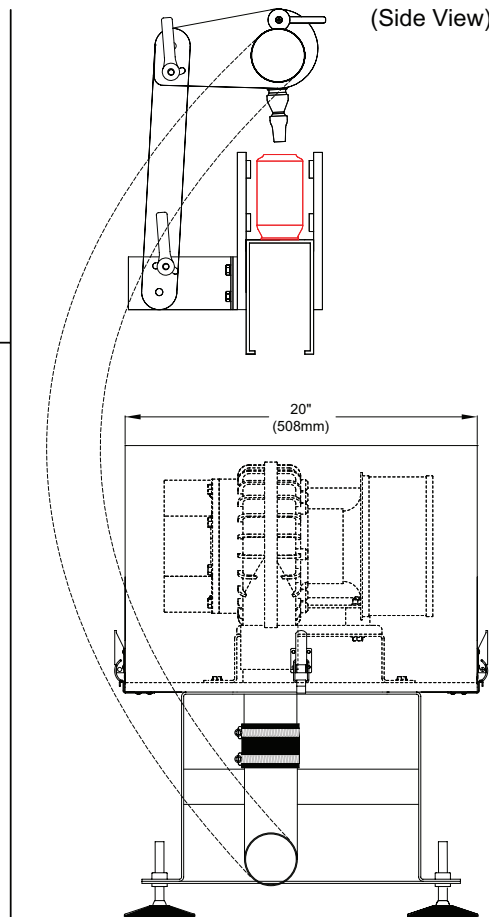
(Top View)



(Front View)



(Side View)



**SolvAir**

**Paxton...leading the science of high performance drying.**  
 European Sales and Service Centre.  
 SolvAir Limited - UK